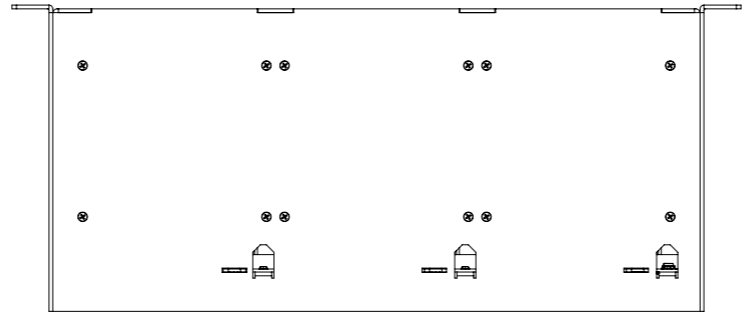
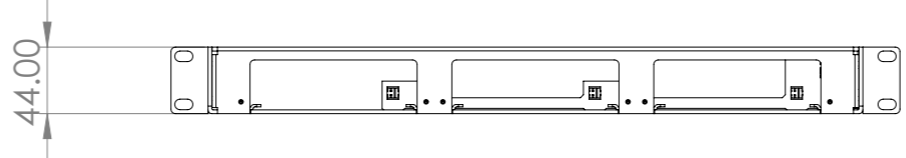
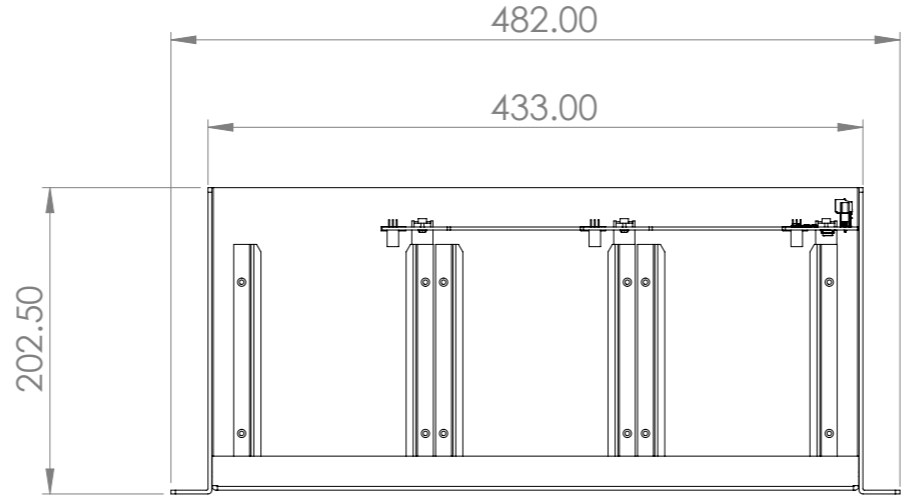


REVISION	DRN BY	DRN DATE	CHK BY	CHK DATE	CHANGE DESCRIPTION
01	AL	12/10/20	-	-	Initial drawing
-	-	-	-	-	-
-	-	-	-	-	-



DEBURR AND BREAK SHARP EDGES
DO NOT SCALE DRAWING

UNLESS OTHERWISE SPECIFIED:
DIMENSIONS ARE IN MILLIMETERS
TOLERANCES:
LINEAR: +/- 0.1
ANGULAR: +/- 0.5



DWG NO. NA		REVISION 01	
TITLE: AMG2031 1U Rack Dimensional Drawing		A3	
FINISH: NA	MATERIAL: NA	SHEET 1 OF 1	
Document is property of AMG Systems Ltd and must not be shared, copied or printed without prior consent.		SCALE:1:5	

